

Specifications

MATERIAL DATA	
Body	Yellow PVC
Insert	Yellow PUR
Cable type	Yellow, AWM UL style 2661, PVC jacket
Contacts	Machined brass
Contact plating	30 micro-inches of 24 karat gold over 50 micro-inches of nickel
Shell	N/A
Wire gauge	#24 AWG
Coupling nut	Machined brass with black epoxy coat
ELECTRICAL DATA	
Contact resistance	≤5mΩ
Electrical isolation	1000 VAC
Current rating	Refer to Model Number Selection.
Voltage rating	60 VAC/75 VDC
ENVIRONMENT DATA	
Protection classes	NEMA 1, 3, 4, 6P, 13/IEC IP68
Temperature range	-4°F to +221°F
Corrosion resistance	N/A
Water spray	N/A

Thread-lock Nano Cordsets

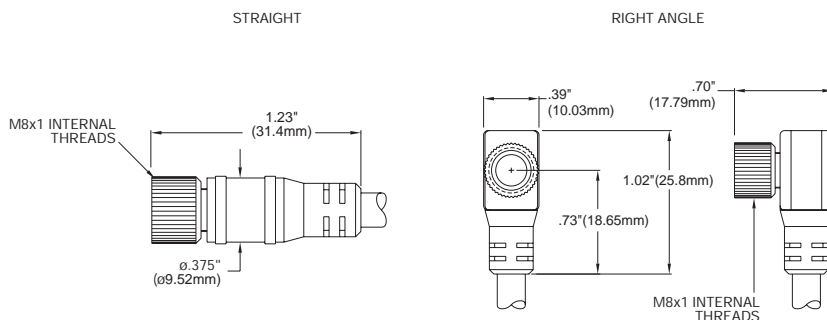
8mm receptacle DC sensor compatibility

- Yellow PVC cable jacket
- Female version
- #24 AWG
- 3 and 4-pin
- Straight and right angle connection



Cordsets Nano Cordsets

Dimensions



Model Number Selection

Face View (female)	Color Code	Current Rating	Length	Straight	Right Angle
	1. Brown 3. Blue 4. Black	4A 4A	2m 5m	V3-GM-YE2M-PVC V3-GM-YE5M-PVC	V3-WM-YE2M-PVC V3-WM-YE5M-PVC
	1. Brown 2. White 3. Blue 4. Black	3A 3A	2m 5m	V31-GM-YE2M-PVC V31-GM-YE5M-PVC	V31-WM-YE2M-PVC V31-WM-YE5M-PVC